

INSTRUCTIONS FOR INSTALLING AN ALPHABETICAL SELECTION CONVERSION KIT IN ANY NATIONAL VENDORS® 140-SHOWCASE MERCHANDISER

These instructions cover the procedures for installing an Alphabetical Section Conversion Kit in any 140-Showcase Merchandiser.

Read these instructions carefully and thoroughly before installing the Kit. Retain these instructions for part number and installation information.

The Alphabetical Selection Conversion Kit (20 Selection), Part Number 140-2603, contains the following parts:

Part Number	Description	Quantity
140-0042	Item Letters Label	1
140-1191	Price Board Tape "A" to "O"	1
140-1192	Price Board Tape "P" to "EE"	1
140-2594	Housing & Push Button Assy. 20 Sel.	1
140-2607	Installation Instructions * * *	1

The Alphabetical Selection Conversion Kit (24 Selection), Part Number 140-2604, contains the following parts:

Part Number	Description	Quantity
140-0042	Item Letters Label	1
140-1191	Price Board Tape "A" to "O"	1
140-1192	Price Board Tape "P" to "E"	1
140-2595	Housing & Push Button Assy. 24 Sel.	1
140-2607	Installation Instructions * * *	1

The Alphabetical Selection Conversion Kit (27 Selection), Part Number 140-2605, contains the following parts:

Part Number	Description	Quantity
140-0042	Item Letters Label	1
140-1191	Price Board Tape "A" to "O"	1
140-1192	Price Board Tape "P" to "EE"	1
140-2596	Housing & Push Button Assy. 27 Sel.	1
140-2607	Installation Instructions * * *	1

The Alphabetical Selection Conversion Kit (30 Selection), Part Number 140-2606, contains the following parts:

Part Number	Description	Quantity
140-0042	Item Letters Label	1
140-1191	Price Board Tape "A" to "O"	1
140-1192	Price Board Tape "P" to "E"	1
140-2597	Housing & Push Button Assy. 30 Sel.	1
140-2607	Installation Instructions * * *	1

TO INSTALL THE KIT

A. PARTS REMOVAL

1. Disconnect the Merchandiser Service Cord from the wall receptacle.
2. Unlock and open the Merchandiser Cabinet Door.
3. Remove the four screws and the two Push Button Straps from the Housing and Push Button Assembly. Retain these parts for use in Section B, Installation of the Kit. See Figure 1.
4. Remove the two screws and the Harness Assembly from the Housing and Push Button Assembly. Retain these screws for use in Section B, Installation of the Kit. See Figure 1.
5. Remove the two screws and the two Push Button Retainers from the Cabinet Door. Retain these parts for use in Section B, Installation of the Kit. See Figure 1.
6. Remove the Housing and Push Button Assembly from the Cabinet Door. See Figure 1.

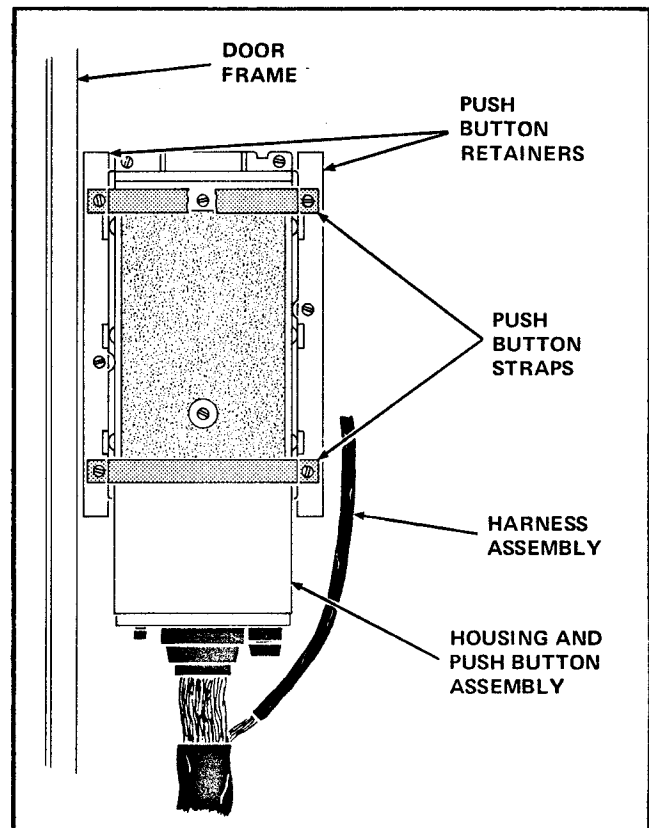


FIGURE 1

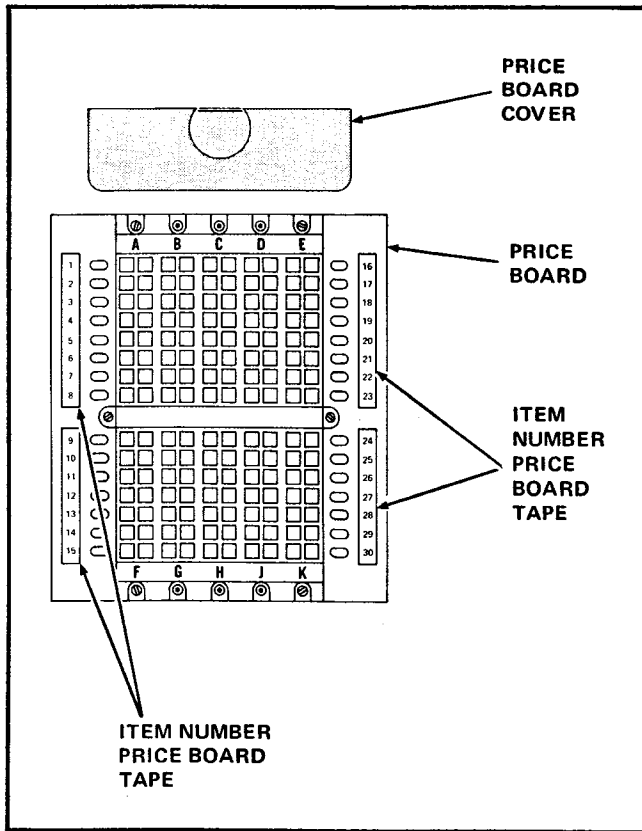


FIGURE 2

7. Lift the Price Board Cover and remove the four screws and the Price Board from the Merchandiser Cabinet. Retain these screws for use in Section B, Installation of the Kit. See Figure 2.
8. Remove the Item Number Price Board Tapes from the Price Board. See Figure 3.
9. Remove the Item Number Labels from the Trays. See Figure 3.

B. INSTALLATION OF THE KIT

1. Install the Price Board Tape "A" to "O", Part Number 140-1191, included in the Kit, vertically on the left side of the Merchandiser Price Board. See Figure 4.
2. Install the Price Board Tape "P" to "EE", Part Number 140-1192, included in the Kit, vertically on the right side of the Merchandiser Price Board. See Figure 4.
3. Install the Price Board in the Merchandiser Cabinet with the four screws removed in Step 7, Section A, Parts Removal. See Figure 4.
4. Place the Housing and Push Button Assembly, included in the Kit, into the Cabinet Door from the outside.

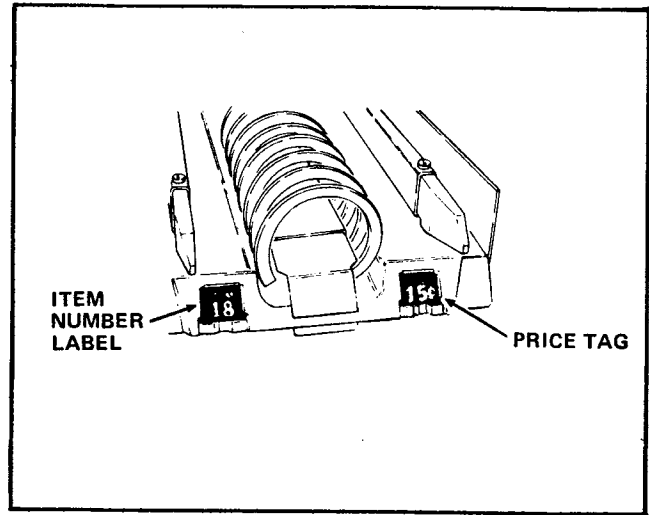


FIGURE 3

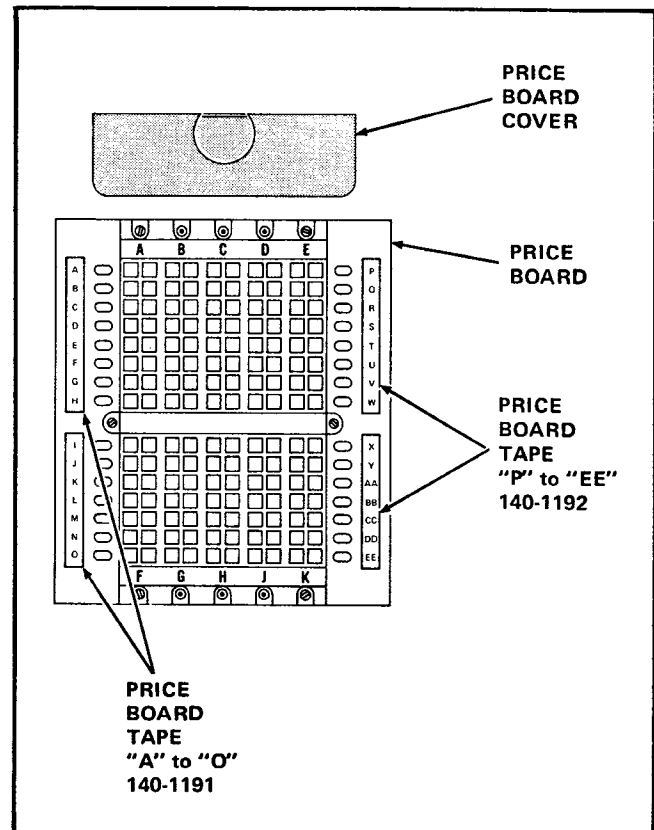


FIGURE 4

NOTE

When attaching the Housing and Push Button Assembly to the Cabinet Door, use the middle one of the three holes on each Push Button Retainer and the middle one of the three Bosses on each side of the Coin Insert Casting for the two screws.

5. Attach the Housing and Push Button Assembly to the Cabinet Door with the two Push Button Retainers and two screws removed in Step 5, Section A, Parts Removal. See Figure 1.

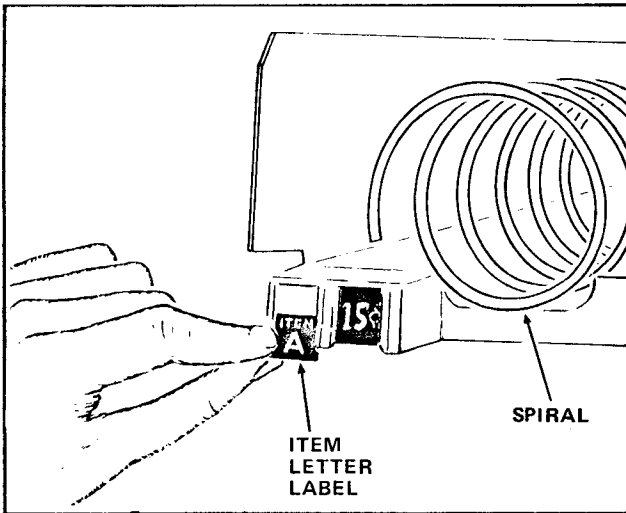


FIGURE 5

NOTE

When attaching the Harness Assembly to the Housing and Push Button Assembly make sure the jacks on the Harness Assembly are aligned with the plugs on the Diode Boards in the Housing and Push Button Assembly.

6. Attach the Harness Assembly to the Housing and Push Button Assembly with the two screws removed in Step 4, Section A, Parts Removal. See Figure 1.

7. Install the two Push Button Straps and four screws removed in Step 3, Section A, Parts Removal. See Figure 1.

NOTE

When installing Item Letter Labels the sequence should start at the left hand corner of the top Tray and proceed from left to right on each Tray.

8. Install the Item Letter Labels, Part Number 140-0042, included in the Kit, into the left hand slot on the Label Holder on each Tray. See Figure 5.

9. Close and lock the Merchandiser Cabinet Door.

10. Connect the Merchandiser Service Cord to the properly polarized wall receptacle.